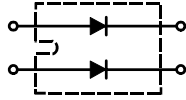
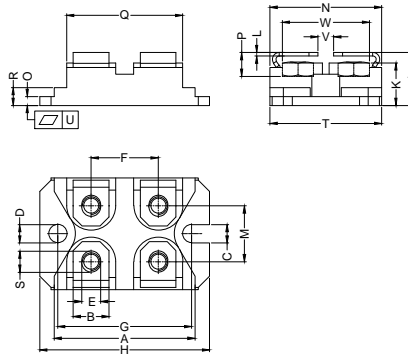


# HUR2x100-60

Soft Recovery Behaviour High-Performance Wide Temperature Range Ultra Fast Recovery Epitaxial Diodes



Dimensions SOT -227



Dim.	Millimeter		Dim.	Millimeter	
	Min.	Max.		Min.	Max.
A	31.30	31.65	M	12.00	13.00
B	7.80	8.40	N	25.15	25.65
C	4.00	4.30	O	1.95	2.15
D	∅4.00	∅4.30	P	5.60	6.60
E	4.00	4.30	Q	25.30	26.30
F	14.90	15.20	R	3.90	4.30
G	30.10	30.30	S	4.45	4.85
H	38.00	38.50	T	24.50	25.10
J	12.10	12.90	U	0.05	0.10
K	9.00	9.60	V	3.00	4.80
L	0.75	0.85	W	19.30	20.50

	<b>V<sub>RSM</sub></b> <b>V</b>	<b>V<sub>RRM</sub></b> <b>V</b>
<b>HUR2x100-60</b>	600	600



Symbol	Test Conditions	Maximum Ratings	Unit
I <sub>FRMS</sub> I <sub>FAVM</sub>	T <sub>C</sub> =60°C; rectangular, d=0.5	100 100	A
I <sub>FSM</sub>	T <sub>VJ</sub> =45°C; t <sub>p</sub> =10ms (50Hz), sine	1000	A
E <sub>AS</sub>	T <sub>VJ</sub> =25°C; non-repetitive; I <sub>AS</sub> =4A; L=182uH	2	mJ
I <sub>AR</sub>	V <sub>A</sub> =1.5·V <sub>R</sub> typ.; f=10kHz; repetitive	0.4	A
T <sub>VJ</sub> T <sub>VJM</sub> T <sub>stg</sub>		-40...+150 150 -40...+150	°C
P <sub>tot</sub>	T <sub>C</sub> =25°C	200	W
V <sub>ISOL</sub>	50/60Hz, RMS I <sub>ISOL</sub> ≤1mA	2500	V~
M <sub>d</sub>	mounting torque (M4) terminal connection torque (M4)	1.1-1.5/9-13 1.1-1.5/9-13	Nm/lb.in.
Weight	typical	30	g

# HUR2x100-60

Soft Recovery Behaviour High-Performance Wide Temperature Range Ultra Fast Recovery Epitaxial Diodes

Symbol	Test Conditions	Characteristic Values		Unit
		typ.	max.	
$I_R$	$T_{VJ}=25^{\circ}\text{C}; V_R=V_{RRM}$ $T_{VJ}=150^{\circ}\text{C}; V_R=V_{RRM}$		1 4	mA
$V_F$	$I_F=100\text{A}; T_{VJ}=150^{\circ}\text{C}$ $T_{VJ}=25^{\circ}\text{C}$		1.24 1.54	V
$R_{thJC}$ $R_{thCH}$	with heatsink compound	0.1	0.6	K/W
$t_{tr}$	$I_F=1\text{A}; -di/dt=400\text{A}/\mu\text{s}; V_R=30\text{V}; T_{VJ}=25^{\circ}\text{C}$	30		ns
$I_{RM}$	$V_R=100\text{V}; I_F=200\text{A}; -di_F/dt=100\text{A}/\mu\text{s}; T_{VJ}=100^{\circ}\text{C}$	5.5	6.8	A

## FEATURES

- \* International standard package miniBLOC
- \* Isolation voltage 2500 V~
- \* 2 independent FRED in 1 package
- \* Glass passivated chips
- \* Very short recovery time
- \* Extremely low switching losses
- \* Low  $I_{RM}$ -values
- \* Soft recovery behaviour
- \* UL File NO.E310749
- \* RoHS compliance

## APPLICATIONS

- \* Antiparallel diode for high frequency switching devices
- \* Antisaturation diode
- \* Snubber diode
- \* Free wheeling diode in converters and motor control circuits
- \* Rectifiers in switch mode power supplies (SMPS)
- \* Inductive heating
- \* Uninterruptible power supplies (UPS)
- \* Ultrasonic cleaners and welders

## ADVANTAGES

- \* Avalanche voltage rated for reliable operation
- \* Soft reverse recovery for low EMI/RFI
- \* Low  $I_{RM}$  reduces:
  - Power dissipation within the diode
  - Turn-on loss in the commutating switch