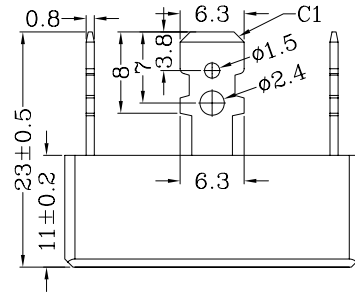
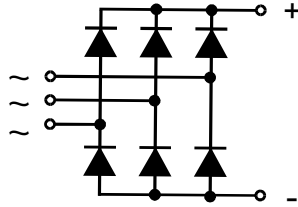


G' D8 6') 5 J

H fYY'D\ UgY'6 f]X[Y'F YW]Z]Yfg

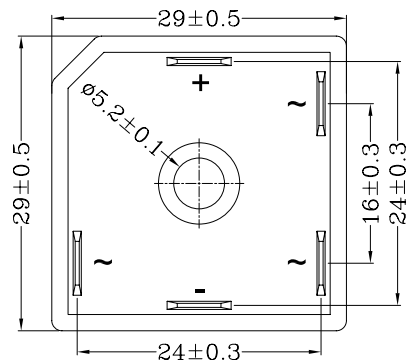
5 J5 @ B7 < 9 '8 =C89 'BG=8 9

8]a Ybg]cbg]b'a a 'f/a a 1 '\$' - (~L



E310749

HndY	JFGA	JFFA
	J	J
G' D8 6') %85 J	1300	1200
G' D8 6') %5 J	1700	1600
G' D8 6') %5 J	1900	1800



Maximum Ratings

Gna Vc`	HYgh7 cbX]h]cbg	AU]a i a 'FU]b[g	I b]h
=xUj	T _C =50°C	35	A
=GA	T _{VJ} =25°C V _R =0	t=10ms (50Hz), sine t=8.3ms (60Hz), sine 420 500	A
=h	T _{VJ} =25°C V _R =0	t=10ms (50Hz), sine t=8.3ms (60Hz), sine 800 960	A ² s
Hu>		-40...+180	
Hu>A		180	°C
Hgh		-40...+180	
J-gc@	50/60Hz, RMS I _{ISOL} ≤1mA	t=1min t=1s 2500 3000	V~
Ax	Mounting torque (M4)	1.5-2 14-18	Nm lb.in.
K Y][\ h	typ.	18	g

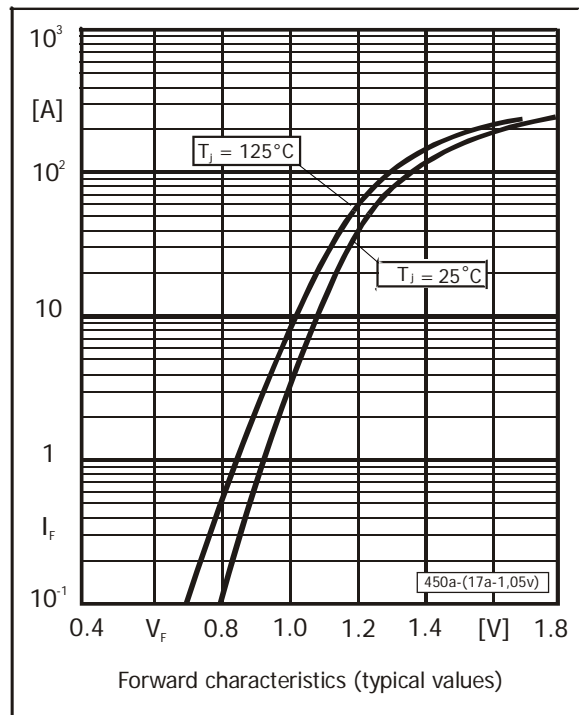
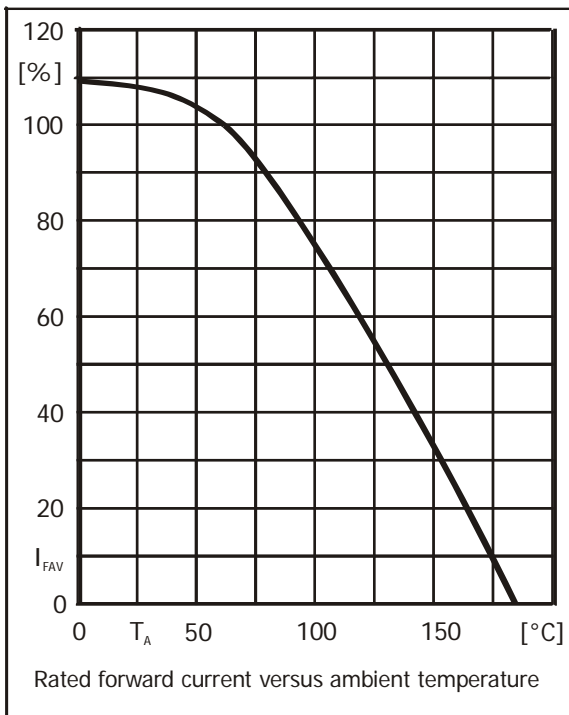


S3PDB35**AV

Three Phase Bridge Rectifiers

Characteristics

Max. current with cooling fin 300 cm ²	$T_A = 50^\circ\text{C}$ R-load	I_{FAV}	35 A
Forward voltage	$T_j = 25^\circ\text{C}$ $I_F = 150\text{A}$	V_F	< 1.80 V
Leakage current	$T_j = 150^\circ\text{C}$ $V_R = V_{RRM}$	I_R	< 3mA
Thermal resistance junction to case		R_{thC}	< 0.9 K/W



FEATURES

- Rating to 1800V PRV
- Avalanche Diode chips inside
- High efficiency
- Glass passivated chip junction
- Electrically isolated metal case for maximum heat dissipation
- UL File NO.E310749
- ROHS Compliance

MECHANICAL DATA

- Case: Molded plastic with Heatsink internally mounted in the bridge encapsulation
- Polarity: As marked on Body
- Mounting: Hole for # 10 screw
- Weight: 0.63 ounces, 18.0 grams

Sirectifier[®]